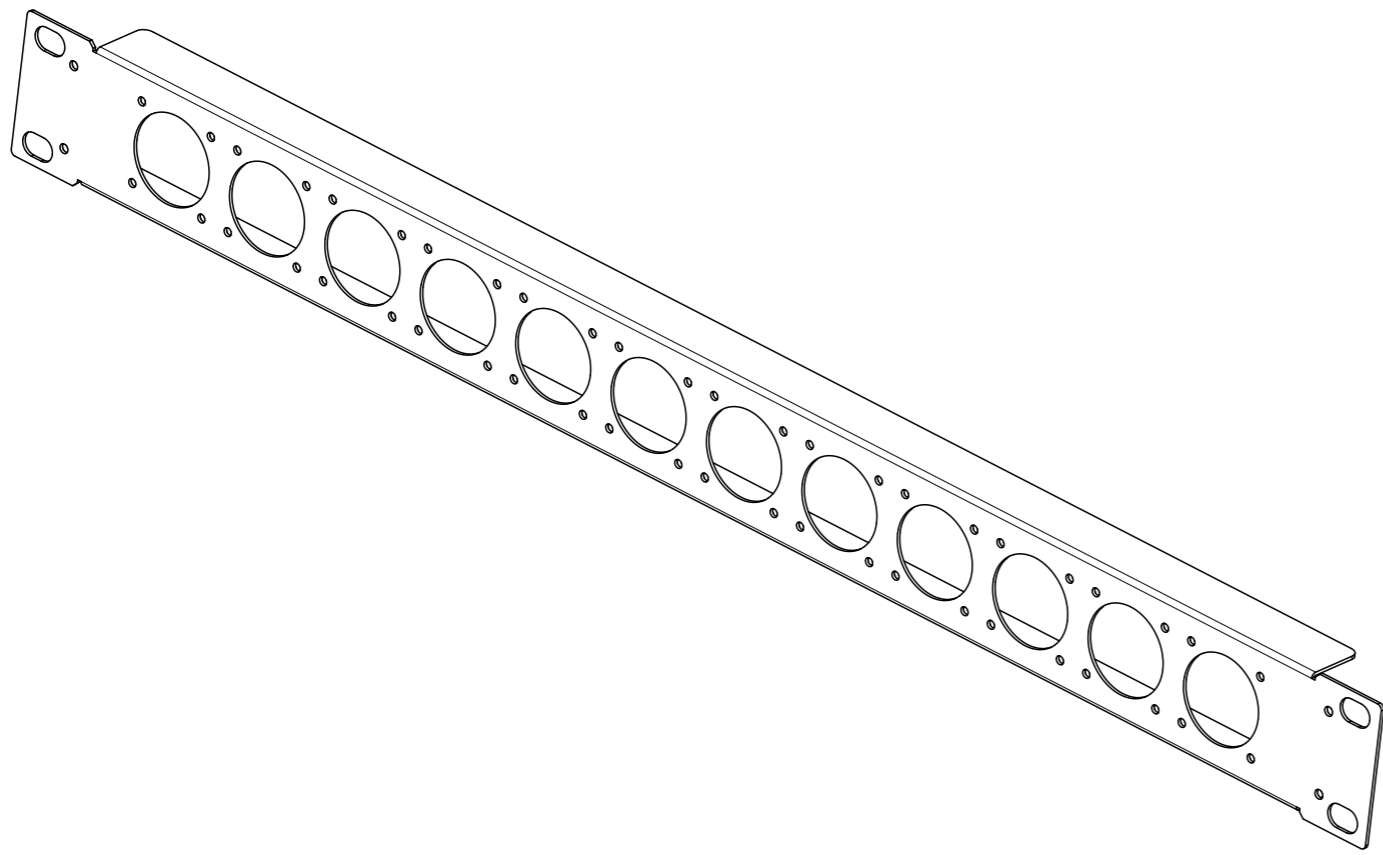
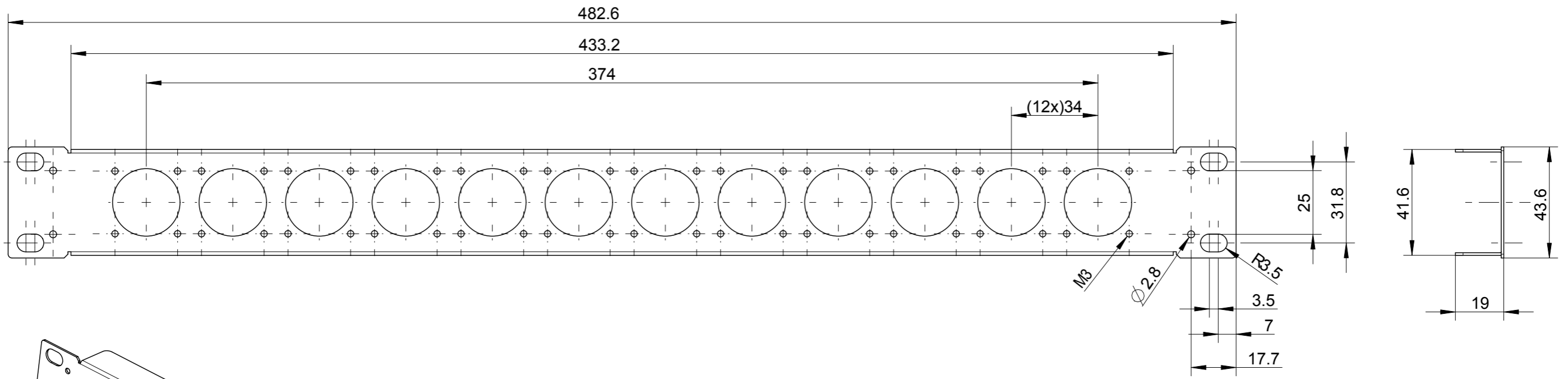


A

B

C

D



KOMONENT / PART LIST				
DIMENSIONS ARE IN MM	DRAWN	Keshishian	Feb-07-12	
NOT TOLERATED TOLERANCES ON	CHECK	Witte	Feb-09-12	
ISO 2768- m	APPD	Witte	Feb-09-12	EMO Systems GmbH Rungstrasse 19, 10179 Berlin, Germany
	APPD			
PROJECTION METHOD	APPD			DESCRIPTION
	MATERIAL			Technical Drawing Z-EN10-RP
NEXT ASSY	Sheet Metal (1.5mm)			
PROJECT	FINISH			SCALE
FIRST USAGE	Powder Coated, matt black			1:2
				DRAWING NUMBER
				PD1025
				REV
				20
				CLASS
				A3
				SHEET 1 of 1